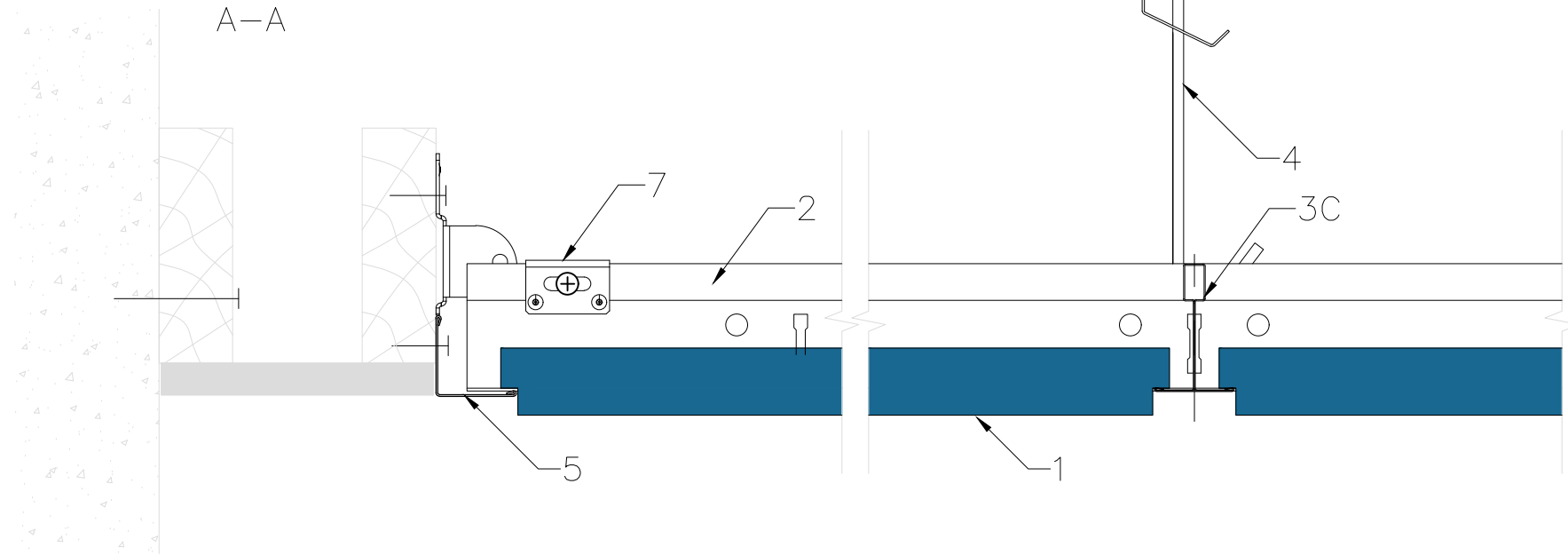


1. Tile ROCKFON, edge E24
2. Mainrunner T24 C/H38 3600 white
- 3C. Cross Tee T24 C38 600 white
4. Adjustable hanger
5. Wall Angle 24/24 3050 white
7. Wall and bridging bracket



All screws and other fastenings shown are indicative and illustrative only.  
Specific fasteners should be chosen dependent on substrates and materials being used.

<b>Information:</b> Rockfon system A/E T24 XL Perimeter detail Gypsum frieze – E24S8 (20 mm)	<b>Date:</b> 13-07-2022	<b>Drawing Type:</b> TECHNICAL		
	<b>Drawing No.:</b> SCA-01-T24-AXL-11.4	<b>Drawn by:</b> OPTS	<b>Scale:</b> 1:2	
	<b>Contact information:</b> info@rockfon.dk	<b>Revision No.:</b> 1		

We kindly draw your attention to the fact that the above drawings should be considered as guidelines and therefore are without responsibility on the part of Rockfon.